



DMF Series Solution Feeder Installation, Operation, & Maintenance Instructions

- Français page 11 -

Installation Procedure

- 1) Set system feeder on a secure and level base or on the provided wall bracket (DMF150 only).
- 2) If mounting DMF150 on the wall, the cardboard cut-out on the side of the DMF150 box may be used to locate the screw holes for the wall bracket.
- 3) Ensure the wall bracket for DMF150 is level and fastened securely to the wall.
- 4) **HANG AND FILL DMF150 TANK PRIOR TO MAKING SYSTEM CONNECTION.** This helps to ensure that the tank is securely seated on the mounting bracket

Startup Procedure

- 1) Close isolation valve between feeder and system connection point
- 2) Fill reservoir, turn valve on feeder to mix/purge and plug in
- 3) Ensure pump is cycling fluid through reservoir (primed)
- 4) Simultaneously turn valve to run and open isolation valve to system



Scan the QR code to the left, search for Axiom Industries Ltd. on YouTube, or use the link below to view a list of instructional videos on the DMF series system feeders:
https://www.youtube.com/watch?v=tmWsw0clEng&list=UU3IhT10cEPKmm_S-HIGcbNw

DMF HYDRONIC SYSTEM FEEDER

INSTALLATION, OPERATION, AND MAINTENANCE INSTRUCTIONS

The system feeder is used to maintain a minimum system pressure within a hydronic heating or cooling system. It should be used to pressurize the system while the system temperature is at its lowest.

Installation Instructions

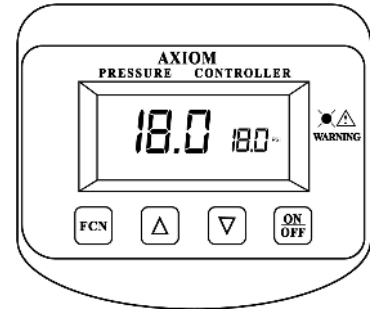
1. For DMF150, set system feeder on a secure and level base or on the provided wall bracket. If mounting on the wall, the cardboard cut-out on the side of the DMF box may be used to locate the screw holes for the wall bracket. Ensure the wall bracket is level and fastened securely to the wall. **HANG AND FILL TANK PRIOR TO MAKING SYSTEM CONNECTION.** (For DMF 300, set system feeder on a secure and level base)
2. Connect the unit to the system using suitable hydronic piping. Ensure that there is a system isolation valve installed to allow for isolation of the unit. Do not leave system feeder pressurized with the isolation valve closed. **DO NOT INSTALL A CHECK VALVE OR PRESSURE REGULATOR BETWEEN SOLUTION FEEDER AND SYSTEM.**
3. Mount power supply and secure with mounting bracket. Do not power up system feeder until a system connection is made, isolation valve is closed and feeder valve is set to mix.
4. To connect the system feeder to the RIA10-1-SAA alarm panel connect the blue and green wires from the digital pressure controller to terminals 1 and 2 inside the Axiom RIA10-1-SAA alarm panel.
5. Install proper water/glycol mix in the tank to a level above minimum level indication on tank scale. A 30-50% Propylene Glycol mixture is recommended.
6. **Close system isolation valve, turn feeder valve to vertical position (mix position).**
7. Insert DC plug from 100-240VAC/50-60Hz/1 to 24 VDC power supply into the system feeder first, and then plug power supply into type C (or other suitable) outlet. The red LED in the power supply cord should light up. If it does not, check the power receptacle.
8. Once the pump is primed, turn the feeder valve handle to horizontal position (run position), open system isolation valve and allow pump to pressurize system. If the system pressure is below the cut in pressure setting (approx.16 psi [.11MPa]), the pump will start. The system feeder will run until the system is pressurized to approximately 18 psi (.124MPa) and shut-off. It may cycle a number of times while system pressure stabilizes and while air is removed from the system.
9. If a higher fill pressure is required (up to 45 psi [.31MPa]) the digital pressure controller may be adjusted by pressing the up arrow to increase pressure and the down arrow to decrease pressure. The Pressure cannot be adjusted outside the high pressure (HiAL default = 26 psi [.18MPa]) and low pressure (LoAL default = 10 psi [.07MPa]) set point. The F2 alarm set points will need to be adjusted before a fill pressure can be set outside these set points. Please see the F2 function in the Adjusting the Digital Pressure Controller section on the following page.

Please note that the digital pressure read out may read differently from another gauge, which may be installed elsewhere in the system. This may be due to gauge calibration or differences in elevation within the system.

The system feeder does not require any scheduled maintenance. Should you wish to test pump operation, turn mix/purge valve to vertical position to start pump. Turning mix/purge valve handle back to the horizontal position will allow the pump to re-pressurize the system and then shut off.

Adjusting the Digital Pressure Controller on the DMF Series Solution Feeders

The pressure controller is factory set to start the pump at 16psi (.11MPa) and shut off the pump at 18 psig (.124MPa). It can be field adjusted to a maximum of 45 psig (.31MPa). To quickly adjust the pressure set point, without changing the differential, press the up or down arrows on the front of the pressure controller.



Function Menu

The five functions of the digital pressure controller may be toggled through by pressing the **FCN** button. Press and hold the **FCN** button for **3 seconds** to enter the function menu shown below. The **FCN** button moves you through the menu while the **▼ ▲** arrow buttons are used to **change** the settings.

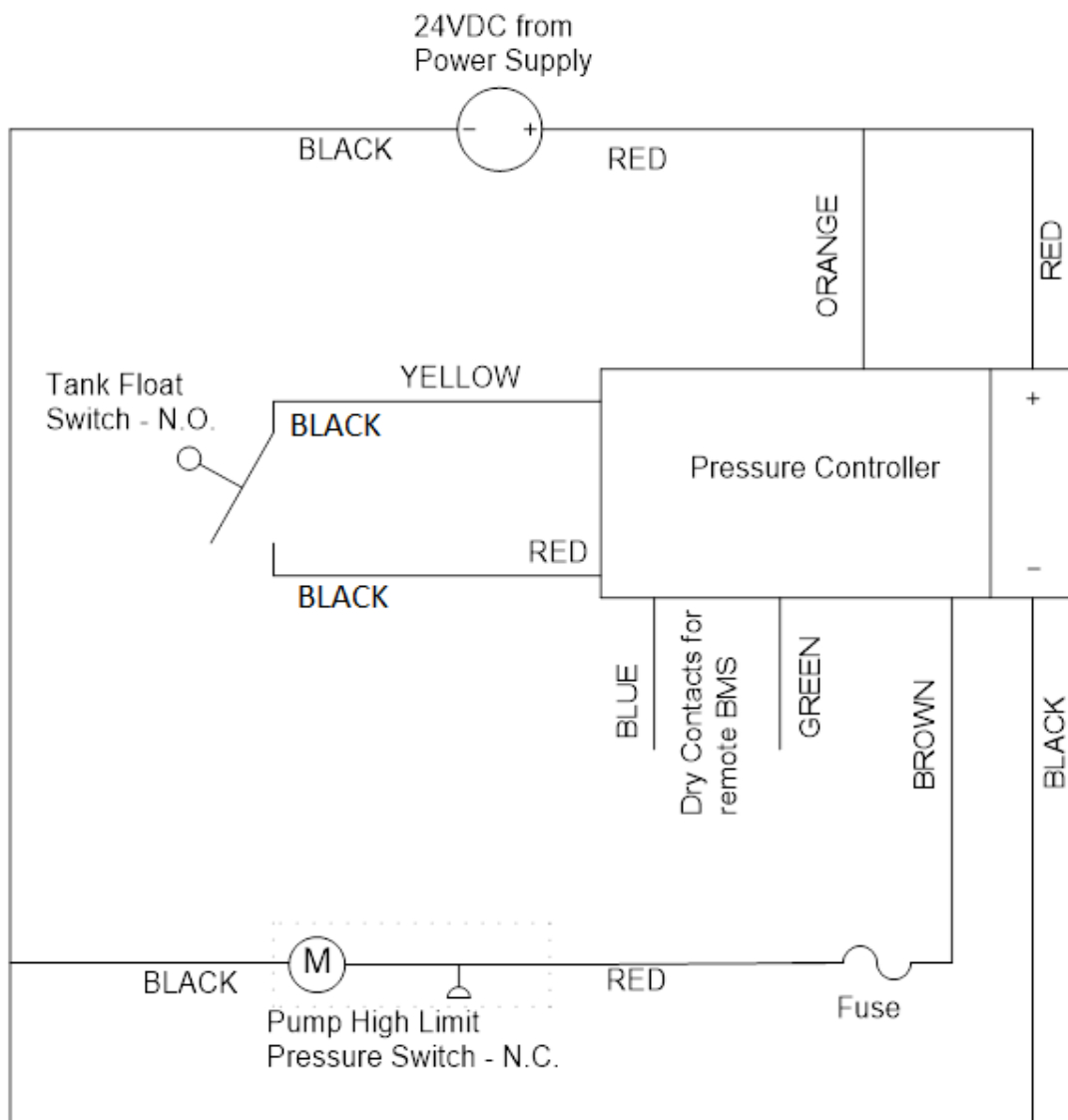
Symbol	Description	Operation
<p>F1</p> <p>Pressure Settings for Pump Operation</p>	<p>F1-Hi-P (Pump cut-out set point) F1-Lo-P (Pump cut-in set point)</p> <p>Default: Hi-P = 18.0 psi (.124MPa) Low-P = 16.0 psi (.11MPa) Min. recommended differential 2psi (.02MPa)</p>	<p>▼ ▲ to adjust the pump cut-out set point FCN to lock in setting and move on</p> <p>▼ ▲ to adjust the pump cut-in set point FCN to lock in setting and move on</p>
<p>F2</p> <p>Pressure Settings for the Alarm</p>	<p>F2-H (HiAL) (high pressure alarm), Default HiAL = 26 psi (.18MPa) Range = 0-70 psi (.48MPa)</p> <p>F2-L (LoAL) (low pressure alarm) Default LoAL = 10 psi (.07 MPa) Range = 0-45 psi (.31 MPa)</p> <p>F2-r NO (normally open contacts) NC (normally closed contacts)</p>	<p>▼ ▲ to adjust the high pressure alarm set point FCN to lock in setting and move on</p> <p>▼ ▲ to adjust the low pressure alarm set point FCN to lock in setting and move on</p> <p>▼ to select N/O or N/C FCN to lock in setting and move on</p>
<p>F3</p> <p>Max Pump Operating Pressure Setting</p>	<p>Sets the maximum pressure to which the pump Cut-out setting may be set</p> <p>Default setting = 45 psi (.31MPa)</p>	<p>▼ ▲ to adjust the MAX pressure FCN to lock in setting and move on</p>
<p>F4</p> <p>Pump Relay Test (PTST)</p>	<p>This can be used to manually test the load relay (pump)</p>	<p>ON/OFF to turn the load relay (pump) on and off FCN to move on to F5</p>
<p>F5</p> <p>Alarm Relay Test (ATST)</p>	<p>This can be used to test the alarm relay</p>	<p>ON/OFF to turn the alarm relay on or off FCN to move on to F6</p>
<p>F6</p> <p>Unit Selection</p>	<p>This can be used to select between psi and MPa.</p>	<p>▲ to switch units FCN to go back to normal operating mode</p>

How to Factory Reset the Digital Pressure Controller

1. Simultaneously press the **FCN** and **ON/OFF** buttons and hold for about 4 seconds.
2. The screen will display **off REST**
3. Press the **▼** or **▲** button
4. The screen will display **on REST**
5. Press the **FCN** button

The signal light will then flicker continuously several times before resetting the digital pressure controller

DMF Wiring Diagram



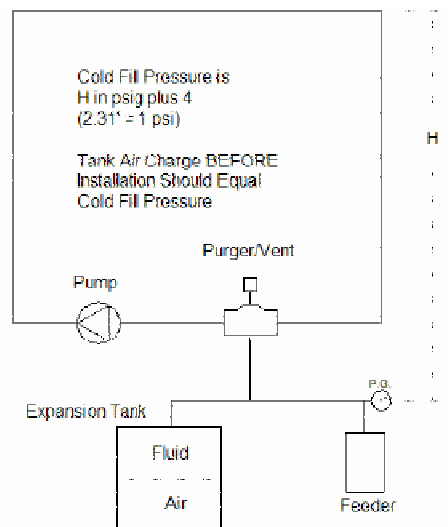
COLD STATIC FILL PRESSURE

The cold static fill pressure (CSFP) in a closed hydronic system has to be high enough to accomplish three things.

- 1) Overcome the static head (height) between the fill point and the highest point in the system.
- 2) Provide adequate pressure (minimum 4 psig [.03MPa]) at the top of the system for proper air venting.
- 3) Maintain adequate pressure at the inlet of the system pumps to prevent cavitation.

The formula for calculating the required CSFP to satisfy points 1 & 2 is:

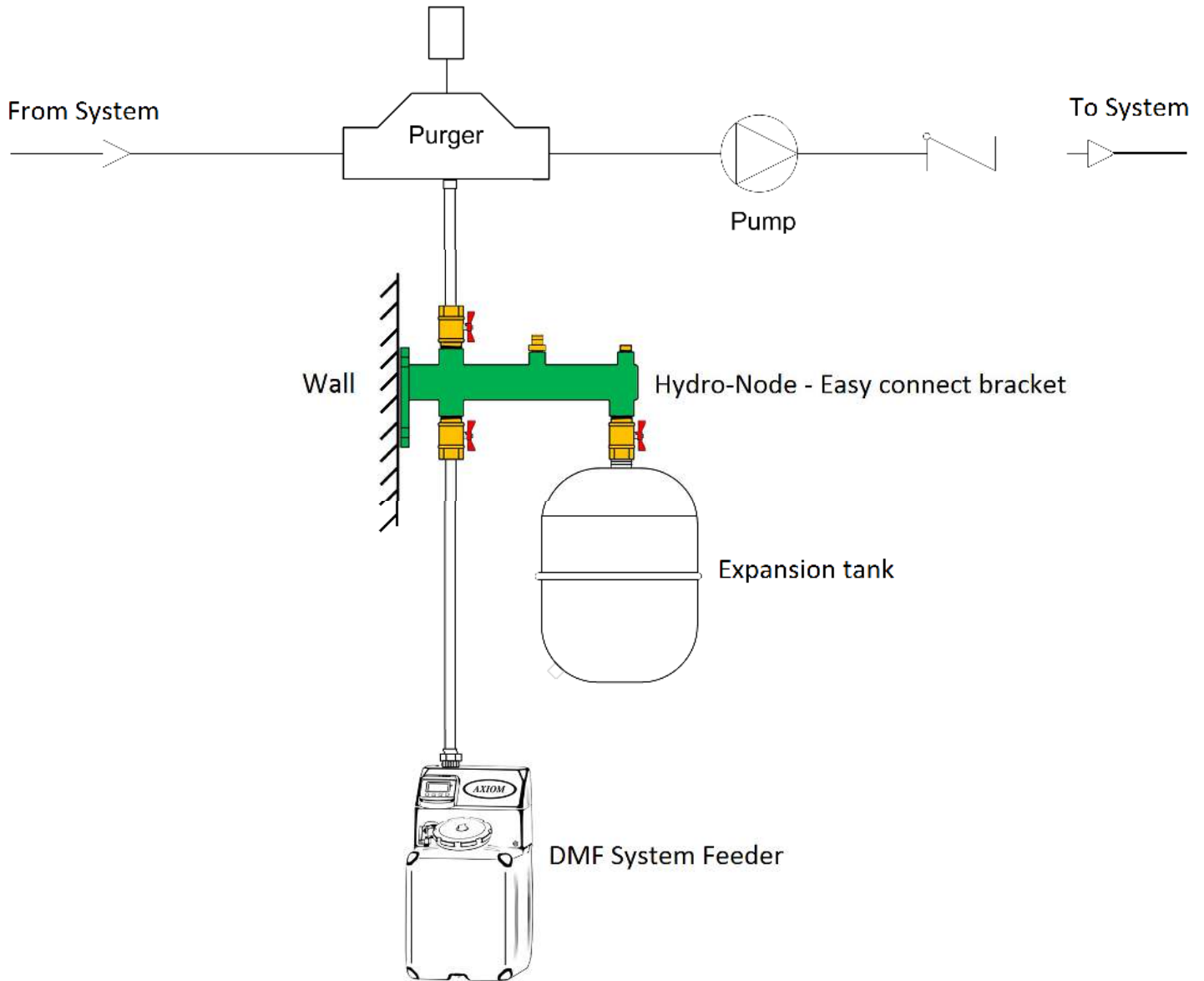
$$(\text{Static height in feet}/2.31) + 4 = \text{CSFP in psig.}$$



As an example, the CSFP for a system with a static height above the fill point of 32 feet (9.75m) would be: $(32/2.31) + 4 = 18$ psig (.124MPa).

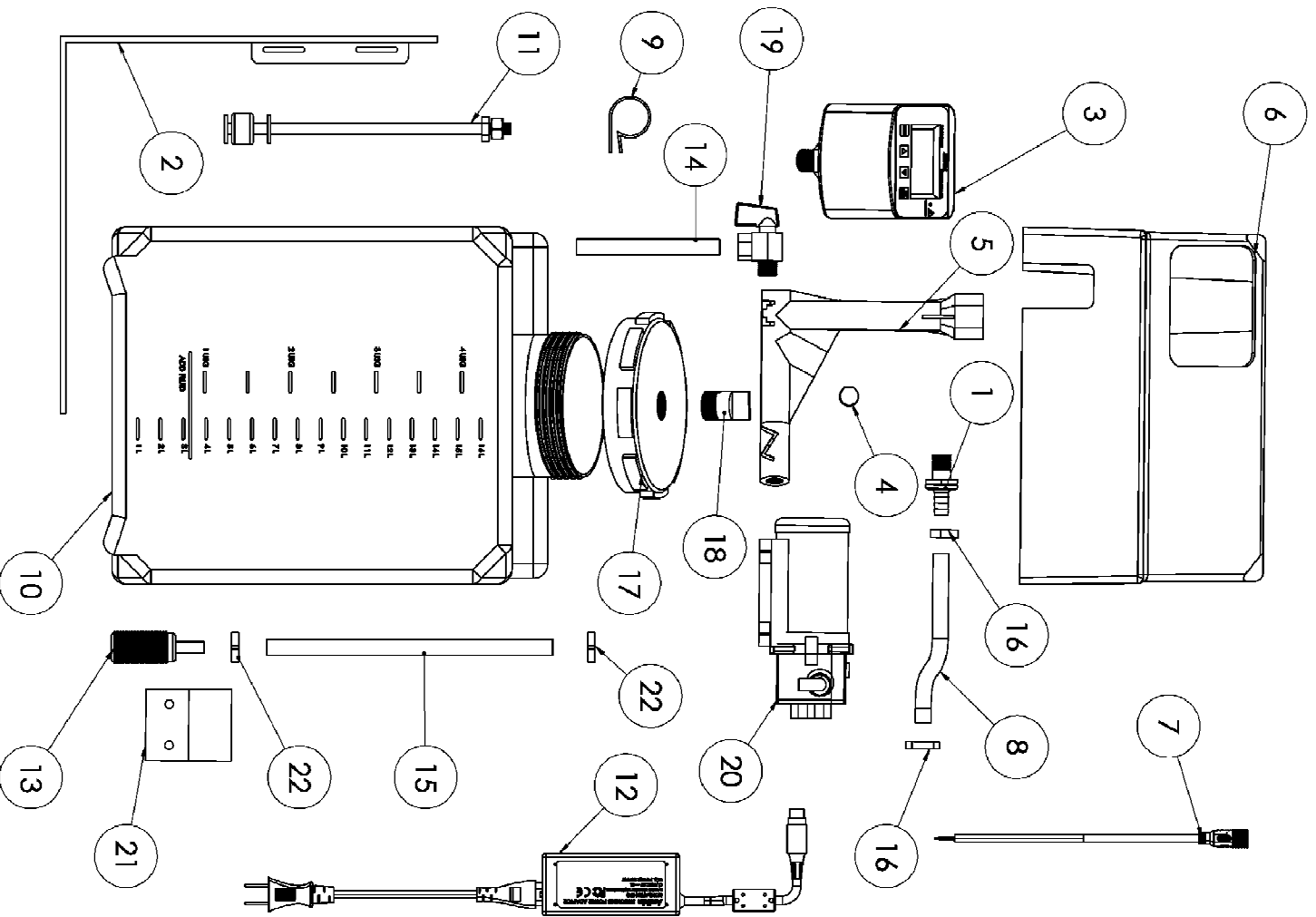
For most closed hydronic systems operating below about 210 F (99°C), maintaining the minimum top-of-system pressure at 4 psig (.03MPa) will be adequate to prevent pump cavitation even if the pumps are at or near the top of the system as well.

IMPORTANT NOTE – For air-charged diaphragm or bladder tanks, the air charge in the tank must be adjusted to equal the cold static fill pressure before it is connected to the system.



Connection Schematic – DMF Series Hydronic System Feeder

ITEM NO.	PART NUMBER	DESCRIPTION	QTY.
1	DMF-3000	1/4" check valve	1
2	DMF-3050	L Wall bracket	1
3	DMF-3100	Digital pressure switch	1
4	DMF-3150	1/4" MNPT brass plug	1
5	DMF-3200	Plastic manifold block	1
6	DMF-3250	Tank lid	1
7	DMF-3350	Inline DC jack (female)	1
8	DMF-3400	1/2" OD clear braided hose	1
9	DMF-3500	Large cable clamp for wires	1
10	DMF150-4000	4.6 US gal Tank	1
11	DMF150-4050	Reed float switch for DMF150	1
12	MF-DMF-0102	120V TO 24DCV power adapter	1
13	MF-DMF-0920	Strainer	1
14	MF-DMF-0930	3/8" PE hose for mix valve	1
15	MF-DMF-0950	Vinyl suction hose 3/8" (1.2)	1
16	MF-DMF-0970	5/8" Plastic clamp for check valve	2
17	MF-DMF-1000A	Tank cap	1
18	MF-DMF-1010	Plug for black cap 3/4"	1
19	MF-DMF-1200	1/4" angle ball valve	1
20	MF-DMF-1300	Pump & motor assembly	1
21	MF-DMF-1421	Power adapter bracket	1
22	MF-DMF-1520	1/2" Plastic clamp for suction hose	2



AXIOM INDUSTRIES LTD

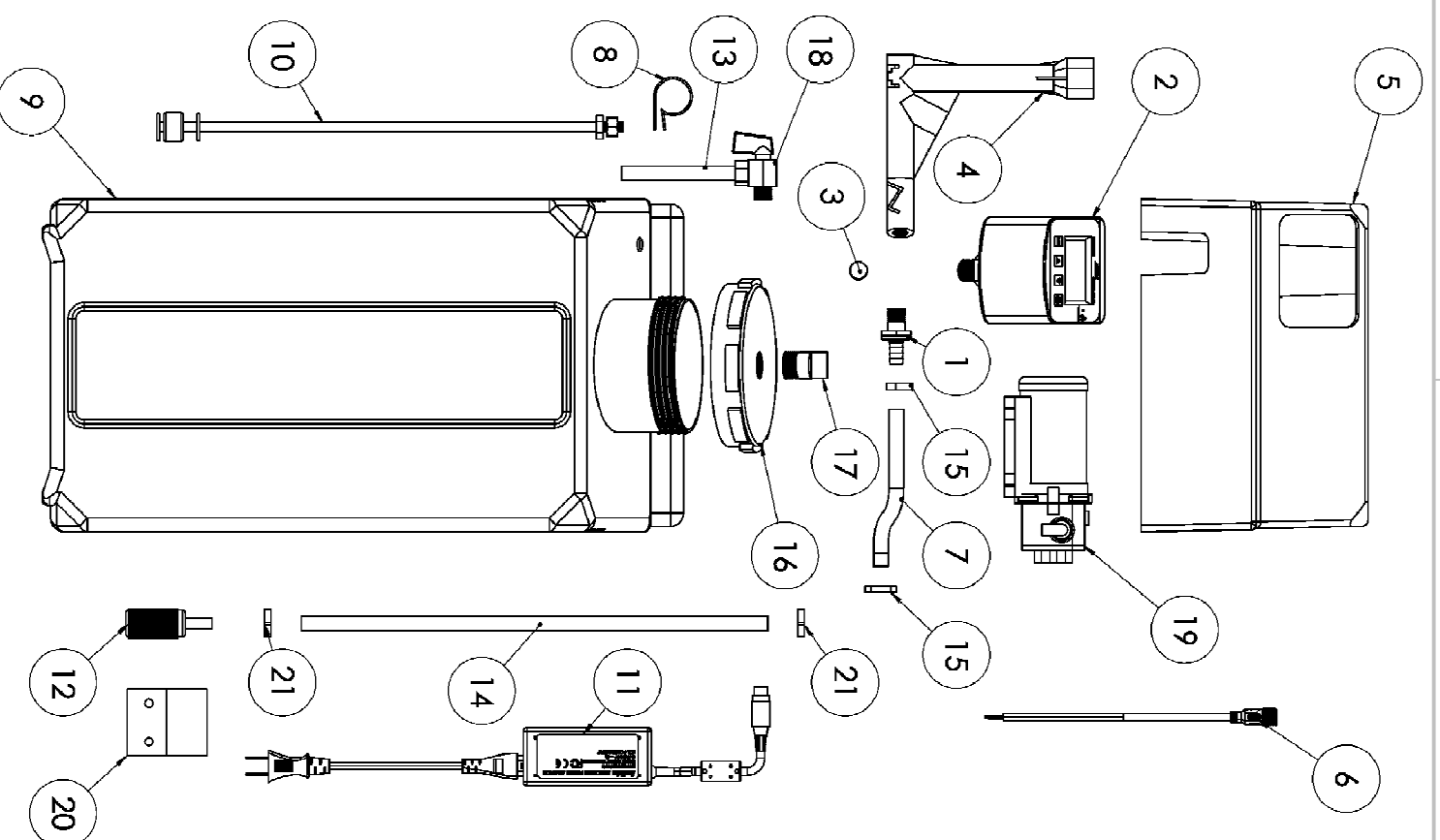
DMF150

FEB 2022

TITLE	DATE	REV
DMF150	FEB 2022	
SIZE		
C		

SHEET 1 OF 1

ITEM NO.	PART NUMBER	DESCRIPTION	QTY.
1	DMF-3000	1/4" check valve	1
2	DMF-3100	Digital pressure switch	1
3	DMF-3150	1/4" MNPT brass plug	1
4	DMF-3200	Plastic manifold block	1
5	DMF-3250	Tank lid	1
6	DMF-3350	Inline DC jack (female)	1
7	DMF-3400	1/2" OD clear braided hose	1
8	DMF-3500	Large cable clamp for wires	1
9	DMF300-4000	19 Gal US tank	1
10	DMF300-4050	Reed float switch for DMF300	1
11	MF-DMF-0102	120V TO 24DCV power adapter	1
12	MF-DMF-0920	Strainer	1
13	MF-DMF-0930	3/8" PE hose for mix valve	1
14	MF-DMF-0950-3FT	Vinyl suction hose 3/8" (3')	1
15	MF-DMF-0970	5/8" Plastic clamp for check valve	2
16	MF-DMF-1000A	Tank cap	1
17	MF-DMF-1010	Plug for block cap 3/4"	1
18	MF-DMF-1200	1/4" angle ball valve	1
19	MF-DMF-1300	Pump & motor assembly	1
20	MF-DMF-1421	Power adapter bracket	1
21	MF-DMF-1520	1/2" Plastic clamp for suction hose	2



AXIOM INDUSTRIES LTD

TITLE DMF300

DATE: Feb 2022

REV SHEET 1 OF 1

Pressure Controller Error Code Chart

Error Code & Meaning

Possible Cause

Resolution

LoLV - low level alarm

Fluid level in tank is low	Add correct fluid. Check for cause of system fluid loss
----------------------------	---

LoAL - Low system pressure alarm

Low fluid level	Add correct fluid. Check for cause of system fluid loss
Pump failure	Obtain pump from reseller and install

HiAL - High system pressure alarm

System expansion tank water logged or undersized	Check system expansion tank and fix/replace
HiAL being displayed on screen while trying to increase set pressure outside of HiAL set point	Increase HiAL set point above intended set point. See F2 on page 3

FULL - Exceeded the pressure range

System expansion tank water logged or undersized	Check system expansion tank and fix/replace
Pump dead headed	Ensure ball valves are open between the feeder and the system.

Troubleshooting Chart

Symptom

Possible Cause

Resolution

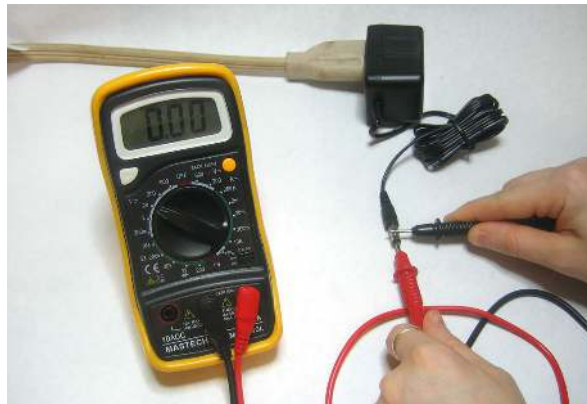
Pump will not start

Fluid level in tank is low	Add correct fluid. Check for cause of system fluid loss
Blown fuse	Check fuse and replace if needed (250V, 2.0 Amps)
Power supply or Breaker	Check LED indicator light on power cord, flip breaker or obtain power supply from reseller and replace
Power supply unplugged or loose electrical connections	Plug in power supply or correct faulty electrical connection
Pressure controller out of adjustment	Adjust pressure controller according to the Axiom's recommendations
Faulty pressure controller	Obtain pressure controller from reseller then replace
Pump pressure switch stuck	Close isolation valve between feeder and system connection point, turn valve on feeder to mix/drain and plug in. Ensure pump is cycling fluid through reservoir (primed). Turn valve to run and open isolation valve to system. Or obtain pump from reseller and replace.

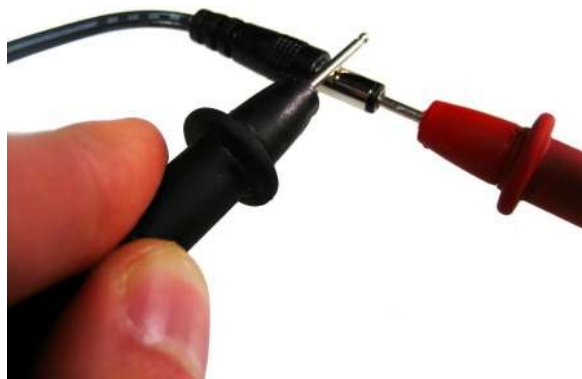
Pump will not shut off	Pump failure	Obtain pump from reseller and replace
	Air lock in pump	Isolate feeder from system then turn purge/mixing valve to prime pump.
	Leak in system or pump	Inspect system and repair leak
	Faulty pressure controller	Obtain pressure controller from reseller then replace
Pump will not prime	Check valve stuck	Tap check valve lightly
	Fluid level in tank is low	Add correct fluid. Check for cause of system fluid loss
	Strainer on inlet hose is blocked	Clean strainer
	Product in tank is too thick or Congealed glycol	Clean strainer and check concentration of glycol mixture
	Inlet tubing leak is drawing air	Replace tubing and repair leak. Re-adjust hose clamp
	Inlet/Outlet tube severely restricted (kinked)	Replace tubing
Noisy / Rough operation	Pump is overloaded and pump pressure controller not cutting out	Obtain Replacement pump from reseller and install
	Feeder is plumbed with rigid pipe causing noise to transmit	Plumb with PEX or flexible system connection
System pressure low	Fluid level in tank is low. Float has cut power to the pump	Add correct fluid. Check for cause of system fluid loss
	Blown fuse	Check LED indicator light on power cord. If not lit ensure it is plugged in and that there is power at the receptacle. Check fuse located near pump and replace if needed
	Power supply or Breaker	Check LED indicator light on power supply, flip breaker or obtain power supply from reseller and replace
	Pressure controller out of adjustment	Adjust pressure controller according to Axiom's recommendations
	Faulty pressure controller	Obtain pressure controller from reseller then replace
	Power supply unplugged or loose electrical connections	Plug in power supply or correct faulty electrical connection
	Pump failure	Obtain pump from reseller and install
System pressure too high	Pressure controller not adjusted to proper set point	Adjust pressure controller according to Axiom's recommendations
	System expansion tank water logged or undersized	Check system expansion tank and fix/replace
Pump Cycles Continually	Air is being removed from system and pump is only making up fluid	No action required
	Leak in system	Inspect system and repair leak

Power supply Adapter test:

1. Plug your power supply into an AC outlet.
2. Turn on your multimeter and set it to read DC voltage.
3. Take the red (positive) probe from your multimeter and stick it into the end of the power supply plug as shown in below figure.



4. Take the black (negative) probe from your multimeter and carefully touch it against the barrel of the plug without touching the tip or your red probe. If you make a connection, you will be creating a short circuit.

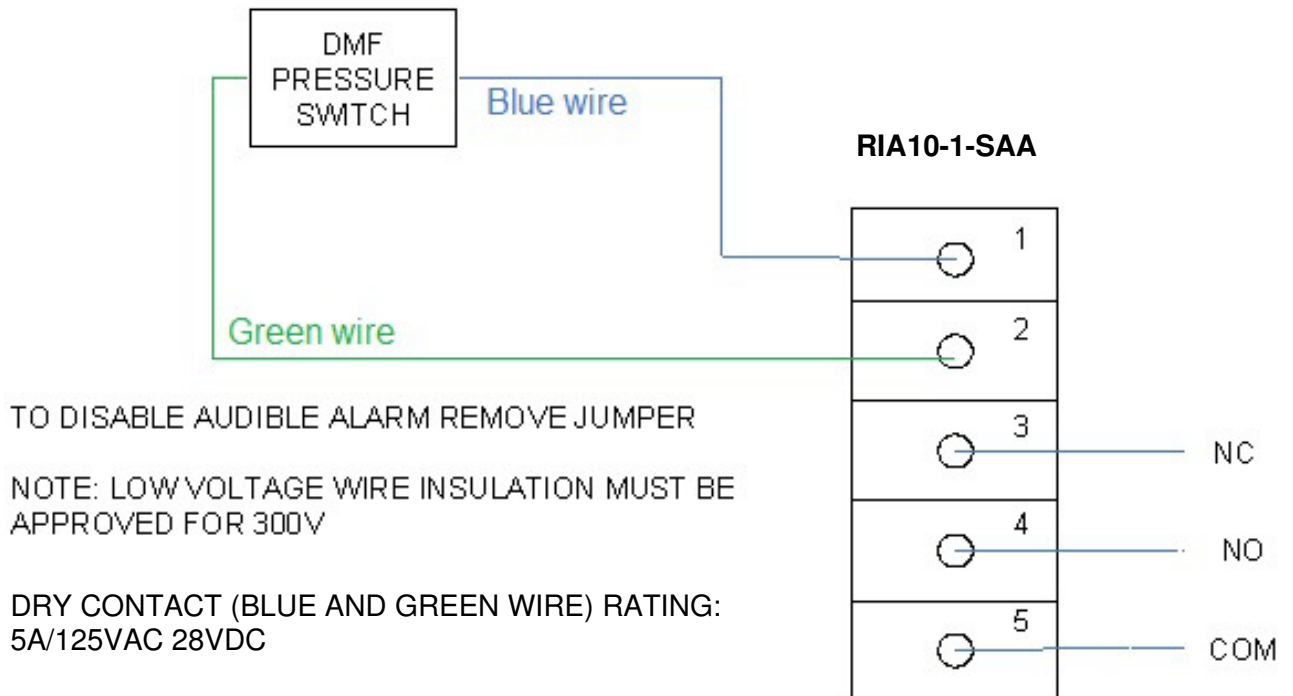


5. On your multimeter you should see a reading of the voltage coming from your power supply. If you are checking a 26V power supply and your multimeter shows “26.5V” everything is fine. If you get a reading of “-26.5V” then your probes are attached in reverse. If this happens and you are positive you connected your probes correctly, double check the polarity on your power supply’s label and make sure the circuit you will be powering with this unit is designed to handle this polarity.

Connecting the RIA10-1-SAA to the DMF Series Solution Feeder for Audible and Visual Alarm

The alarm relay in the DMF series solution feeder is factory wired to be OPEN on LOW PRESSURE, HIGH PRESSURE, or LOW liquid LEVEL in the tank. Remove the screws fastening the top cover to the unit and lift the cover to gain access to the blue and green wires coming from the digital pressure controller. Disconnect the power before doing this.

1. Extend the blue and green wires to the RIA10-1-SAA alarm panel and tie them to terminals 1 and 2.
2. Press and hold the function button to gain access to the functions menu. Select F2-R(NO/NC) and use the arrow buttons to choose NO or NC, then press FCN to confirm the selection.
3. Tap the Function button again until you get to F5 (alarm test relay) and press the ON/OFF button to turn the alarm relay on or off. Press FCN again to finish testing the relay.
4. Connect DCS wiring to remote alarm dry contacts as requested to provide alarm signal.
5. To disable the audible alarm, remove the jumper on the control board of the RIA10-1-SAA alarm panel.
6. Plug the DMF into a 115-240VAC/50-60Hz/1 wall outlet.





Alimentateur de solution DMF

Installation, fonctionnement et entretien

Installation

1. Installer l'alimentateur sur une surface stable et de niveau ou sur le support mural fourni(DMF150).
2. En cas de montage DMF150 mural, le gabarit en carton sur le côté de la boîte du DMF150 peut servir à situer les trous de vis du support mural.
3. S'assurer que le support mural soit de niveau et solidement fixé au mur.
4. **FIXER ET REMPLIR DMF150 LE RÉSERVOIR AVANT DE LE RACCORDER AU SYSTÈME.** Cela permet de s'assurer que le réservoir soit installé correctement sur le support de montage.

Mise en marche

1. Fermer le robinet d'isolement entre l'alimentateur et le raccordement au système.
2. Remplir le réservoir, tourner la manette de commande à *Mix/Purge* sur l'alimentateur, puis le brancher.
3. S'assurer que la pompe refoule la solution à partir du réservoir (qu'elle est amorcée).
4. Tourner la manette de commande à *Run* et ouvrir le robinet d'isolement du système.



Scannez le code QR à gauche et recherchez Axiom Industries Ltd sur YouTube ou utilisez le lien ci-dessous pour visionner une liste de vidéos pédagogiques sur les alimentateurs de la gamme DMF :
www.youtube.com/watch?v=tmWsw0clEng&list=UU3IhT10cEPKmm_S-HIGcbNw

Alimentateur de solution hydronique DMF **Installation, fonctionnement et entretien**

L'alimentateur de solution sert à maintenir une pression minimale dans un système hydronique de chauffage ou de refroidissement. Il devrait être utilisé pour pressuriser le système quand sa température est au plus bas.

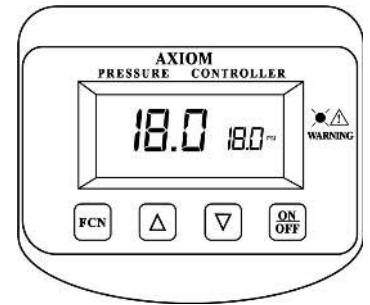
Installation

1. Pour DMF150, installer l'alimentateur sur une surface stable et de niveau ou sur le support mural fourni. En cas de montage mural, le gabarit en carton sur le côté de la boîte du DMF peut servir à situer les trous de vis du support mural. S'assurer que le support mural soit de niveau et solidement fixé au mur. **FIXER ET REMPLIR LE RÉSERVOIR AVANT DE LE RACCORDER AU SYSTÈME.** (Pour DMF300, placez le chargeur du système sur une base sûre et de niveau.)
2. Raccorder l'alimentateur au système au moyen d'un tube approprié pour l'hydronique. S'assurer qu'il y a un robinet d'isolement du système pour pouvoir isoler l'appareil. Ne pas laisser l'alimentateur sous pression avec le robinet d'isolement fermé. **NE PAS INSTALLER DE CLAPET ANTIRETOUR OU DE RÉGULATEUR DE PRESSION ENTRE L'ALIMENTATEUR ET LE SYSTÈME.**
3. Installer le transformateur électrique et le fixer avec le support de fixation. Ne pas mettre l'alimentateur sous tension avant qu'il ne soit raccordé au système, que le robinet d'isolement soit fermé et que la manette de commande de l'alimentateur soit réglée sur *MIX* (mélange).
4. Pour brancher l'alimentateur au panneau d'alarme RIA10-1-SAA, brancher les fils bleu et vert du régulateur de pression aux bornes 1 et 2 à l'intérieur du panneau d'alarme RIA10-1-SAA d'Axiom.
5. Verser une solution glycolée dans le réservoir jusqu'au-dessus de l'indicateur de niveau minimal sur l'échelle graduée du réservoir. On recommande une solution de 30 à 50 % de polypropylène glycol.
6. **Fermer le robinet d'isolement du système, tourner la manette de l'alimentateur à *Mix* (position verticale).**
7. Insérez d'abord la fiche CC de l'alimentation 100-240VAC / 50-60Hz / 1 à 24 VDC dans le chargeur système, puis branchez l'alimentation électrique dans une prise de type C (ou une autre prise appropriée). Le témoin à DEL rouge du cordon d'alimentation devrait s'allumer, sinon vérifier la prise de courant.
8. Une fois la pompe amorcée, tourner la manette de l'alimentateur à *RUN* (marche) en position horizontale, ouvrir le robinet d'isolement et laisser la pompe pressuriser le système. Si la pression du système est en dessous du réglage du pressostat (env. 16 lb/po² [.11MPa]), la pompe démarrera. L'alimentateur fonctionne jusqu'à ce que le système soit pressurisé à 18 lb/po² [.124MPa] environ et s'arrête. Il pourra cycler quelque fois pendant que la pression du système se stabilise et que l'air est retiré du système.
9. Si une pression de remplissage plus élevée est nécessaire (jusqu'à 45 lb/po² [.31MPa]), le pressostat numérique peut être réglé pour augmenter la pression en appuyant sur la flèche Haut (ou Bas si on doit réduire la pression). La pression ne peut pas être réglée en dehors du point de consigne de haute pression (valeur par défaut HiAL = 26 lb/po² [.18MPa]) et de basse pression (valeur par défaut LoAL = 10 lb/po² [.07MPa]). Les points de consigne d'alarme F2 devront être modifiés avant qu'une pression de remplissage puisse être réglée en dehors de ces points de consigne. Veuillez étudier la fonction F2 dans la section Réglage du contrôleur de pression numérique à la page suivante.

Remarque : la lecture du régulateur numérique peut différer de celle d'une autre jauge installée ailleurs dans le système. Cela peut être dû à l'étalonnage de la jauge ou à une différence d'élévation dans le système. L'alimentateur ne nécessite pas d'entretien périodique. On peut toutefois vérifier le fonctionnement de la pompe en tournant la manette de commande en position verticale de mélange (*MIX*) pour la faire démarrer. En retournant la manette en position horizontale, la pompe s'arrêtera après avoir rétabli la pression.

Réglage du régulateur de pression numérique des alimentateurs DMF

Le régulateur de pression est réglé en usine pour démarrer la pompe à 16 lb/po² (.11MPa) et l'arrêter à 18 lb/po² (.124MPa). Il peut être réglé sur place jusqu'à un maximum de 45 lb/po² (.31MPa). Pour modifier rapidement le point de consigne de pression, appuyer sur les flèches Haut ou Bas du régulateur de pression.



Menu des fonctions

Les 5 fonctions du régulateur de pression numérique peuvent défiler en appuyant sur le bouton **FCN**. Enfoncez le bouton pendant 3 secondes pour accéder au menu des fonctions illustré ci-dessous. Le bouton **FCN** permet de naviguer dans le menu tandis que les flèches permettent de modifier les paramètres.

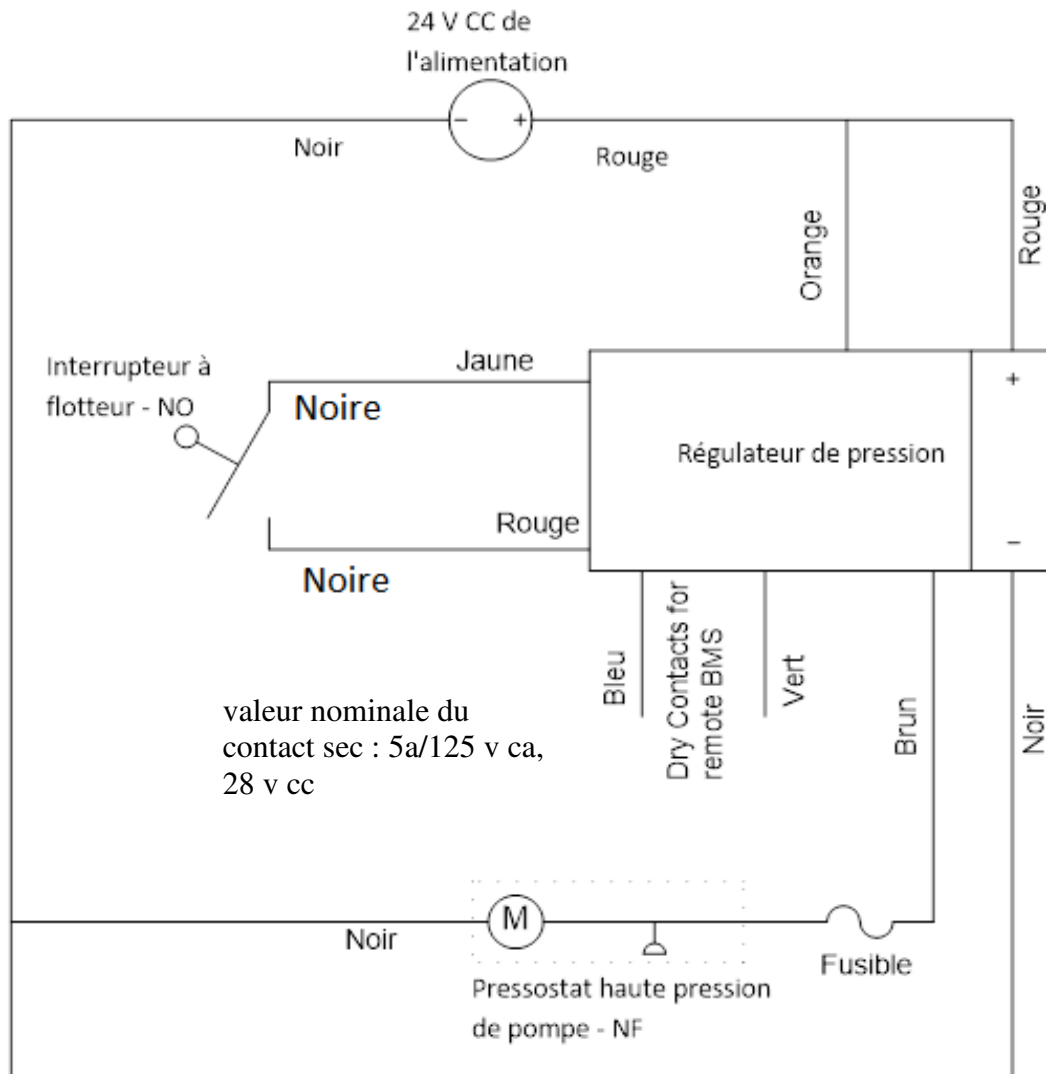
Symbole	Description	Fonctionnement
F1 Réglages de pression de la pompe	F1 -Hi-P règle la haute pression F1 -Lo-P définit la basse pression. Réglages d'usine : Hi-P = 18.0 lb/po ² (.124MPa) Lo-P = 16.0 lb/po ² (.11MPa) La différentiel minimum recommandé est de 2 lb/po ² (.02MPa)	▼▲ pour régler le point de consigne haute pression. Appuyer sur FCN pour confirmer et passer au réglage suivant. ▼▲ pour régler le point de consigne de basse pression. Appuyer sur FCN pour confirmer et passer au réglage suivant.
F2 Réglages de pression pour l'alarme	F2-H (HiAL) règle l'alarme haute pression. Valeur par défaut = 26 lb/po ² (.18MPa) F2-L (LoAL) règle l'alarme de basse pression. Valeur par défaut = 10 lb/po ² (.07 MPa) F2-R Contacts NO (normalement ouvert) ou NC (normalement fermé)	▼▲ pour modifier le point de consigne de l'alarme haute pression, FCN pour confirmer et passer au réglage suivant. ▼▲ pour modifier le point de consigne de l'alarme de basse pression, FCN pour confirmer et passer au réglage suivant. ▼ pour sélectionner NO ou FCN pour confirmer et passer au réglage suivant.
F3 Pression de service maxi	Définit la pression maximale réglable. Valeur par défaut : 45 lb/po ² (.31MPa)	▼▲ pour régler la pression MAXI. FCN pour confirmer et passer au réglage suivant.
F4 Test de relais de pompe (PTST)	Sert à tester manuellement le relais de charge (pompe).	ON/OFF pour démarrer et arrêter le relais de charge (pompe) FCN pour passer à F5
F5 Test de relais d'alarme (ATST)	Sert à tester le relais d'alarme.	ON/OFF pour activer ou désactiver le relais d'alarme. FCN pour revenir au mode de fonctionnement normal.
F6 Conversion d'unité	Pour sélectionner psi ou MPa	▼▲ pour changer d'unité FCN pour revenir au mode de fonctionnement normal

Réinitialiser le régulateur numérique aux réglages d'usine

1. Appuyez simultanément sur **FCN** et **ON/OFF** pendant 4 secondes.
2. L'écran affiche **off REST**
3. Appuyez sur **▼** ou **▲**
4. L'écran affichera **on REST**
5. Appuyez sur **FCN**

Le témoin clignotera en continu plusieurs fois avant de réinitialiser le régulateur de pression numérique.

Schéma de câblage DMF



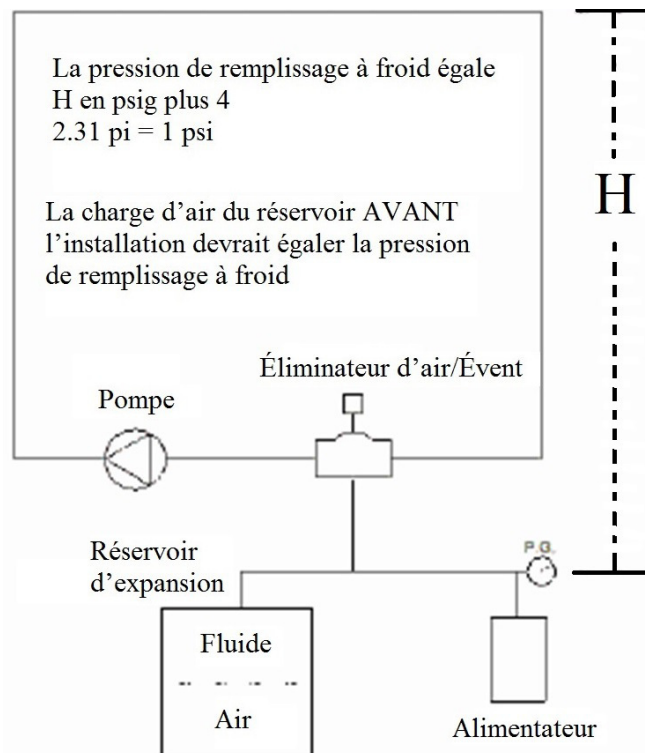
Pression de remplissage statique à froid

La pression de remplissage statique à froid (PRSF) dans un système hydronique en circuit fermé doit être suffisamment élevée pour répondre à 3 exigences :

- 1) surmonter la charge statique (la hauteur) entre le point de remplissage et le point le plus élevé du système;
- 2) fournir une pression suffisante (4 lb/po² [.03 MPa] minimum) au point le plus haut du système pour une bonne évacuation de l'air;
- 3) maintenir une pression suffisante à l'entrée des pompes du système pour empêcher la cavitation.

La formule de calcul de la PRSF requise pour satisfaire aux points 1 et 2 est la suivante :

$$(\text{Hauteur statique en pieds}/2.31) + 4 = \text{PRSF en lb/po}^2$$

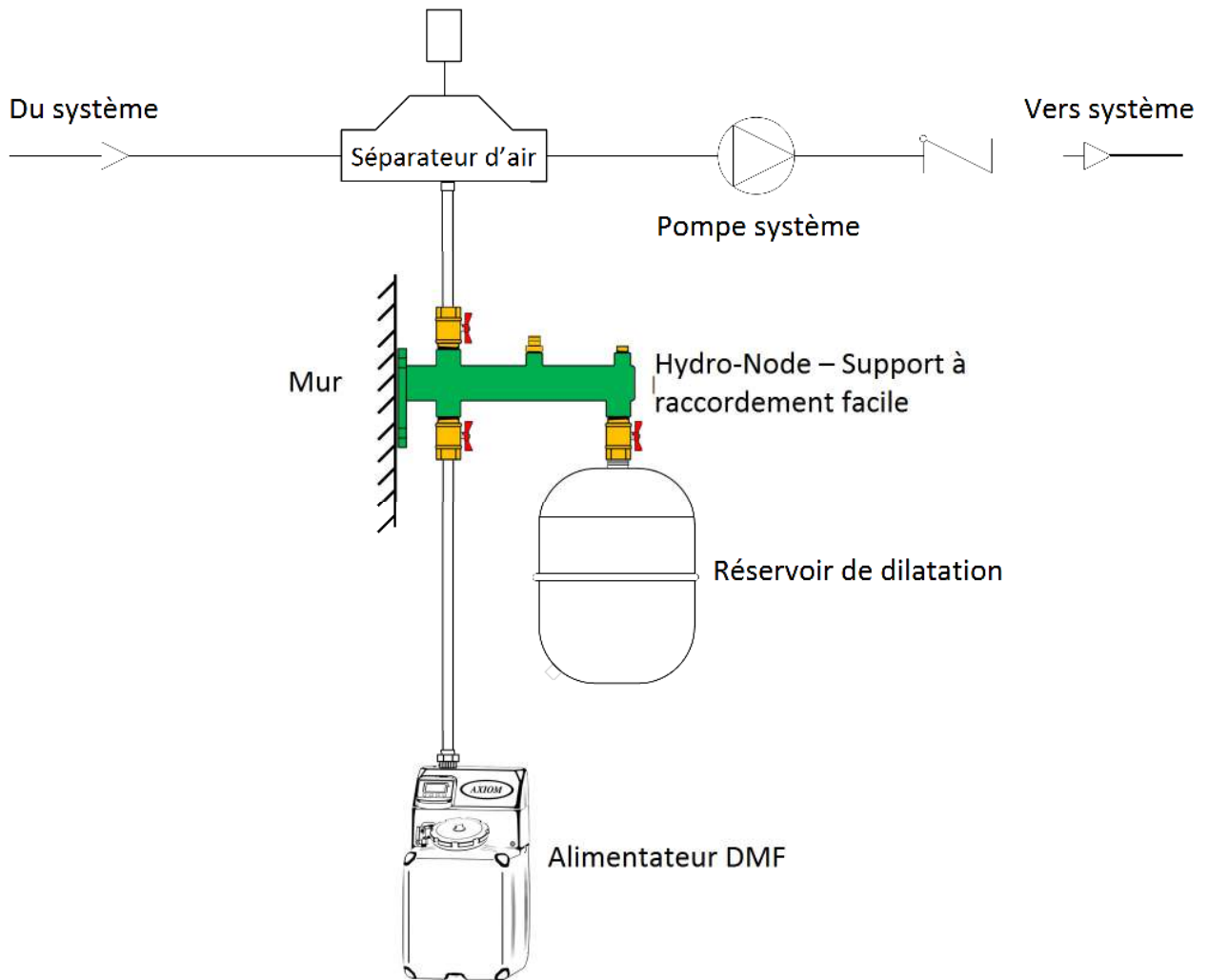


Exemple : la PRSF pour un système ayant une hauteur statique de 32 pi au-dessus du point de remplissage sera : $(32/2.31) + 4 = 18 \text{ lb/po}^2$ (.124MPa)

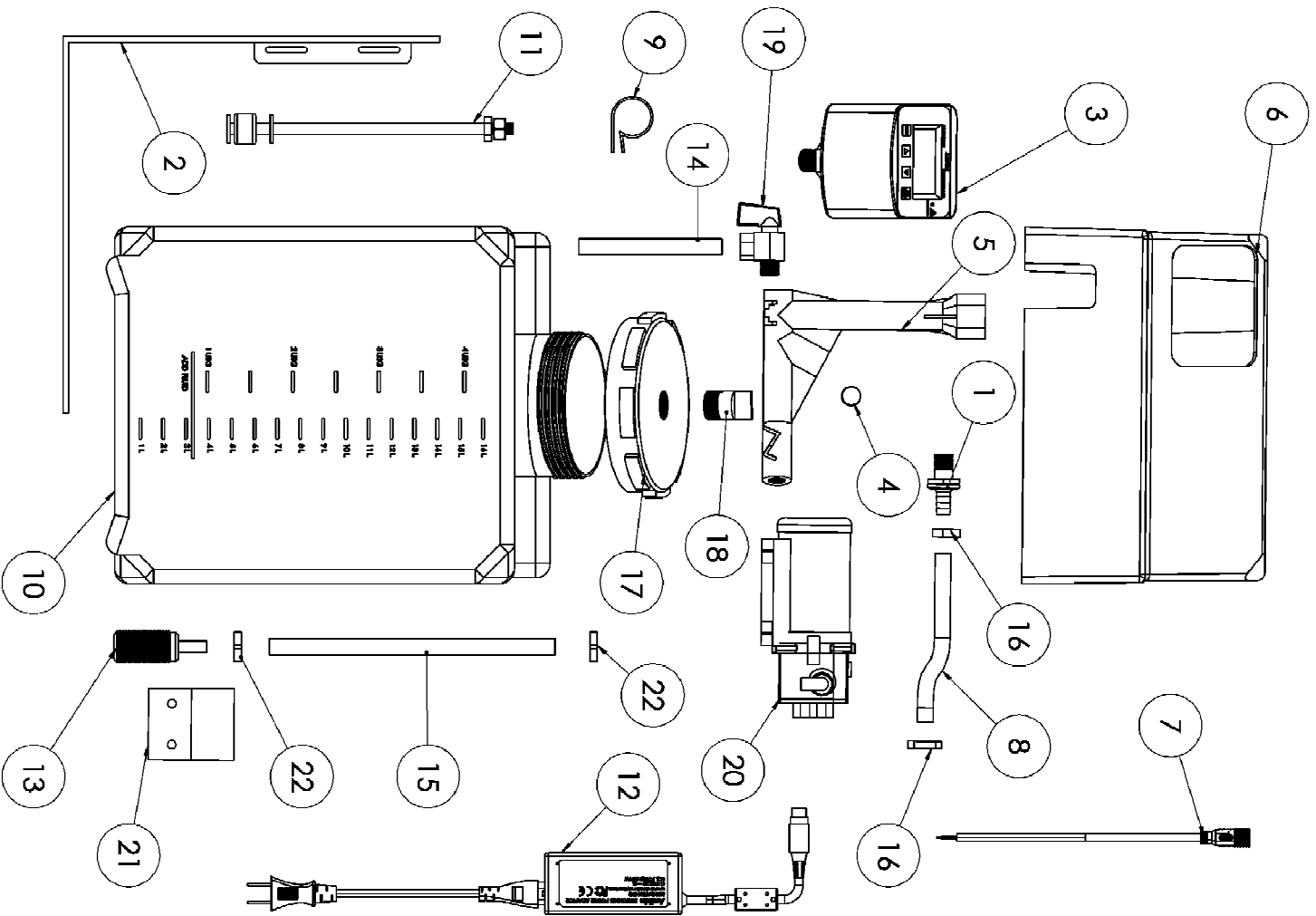
Pour la plupart des systèmes hydroniques en circuit fermé fonctionnant au-dessous de 100 °C (210 °F) environ, maintenir la pression minimale à 4 lb/po² (.03 MPa) au haut du système suffira pour empêcher la cavitation de la pompe même si les pompes sont dans le haut du système ou près du haut.

REMARQUE IMPORTANTE – Pour les réservoirs d'expansion à membrane ou à vessie remplis d'air, la charge d'air dans le réservoir doit être réglée pour être égale à la PRSF avant qu'il soit raccordé au système.

Schéma de raccordement – Alimentateur de système hydronique DMF



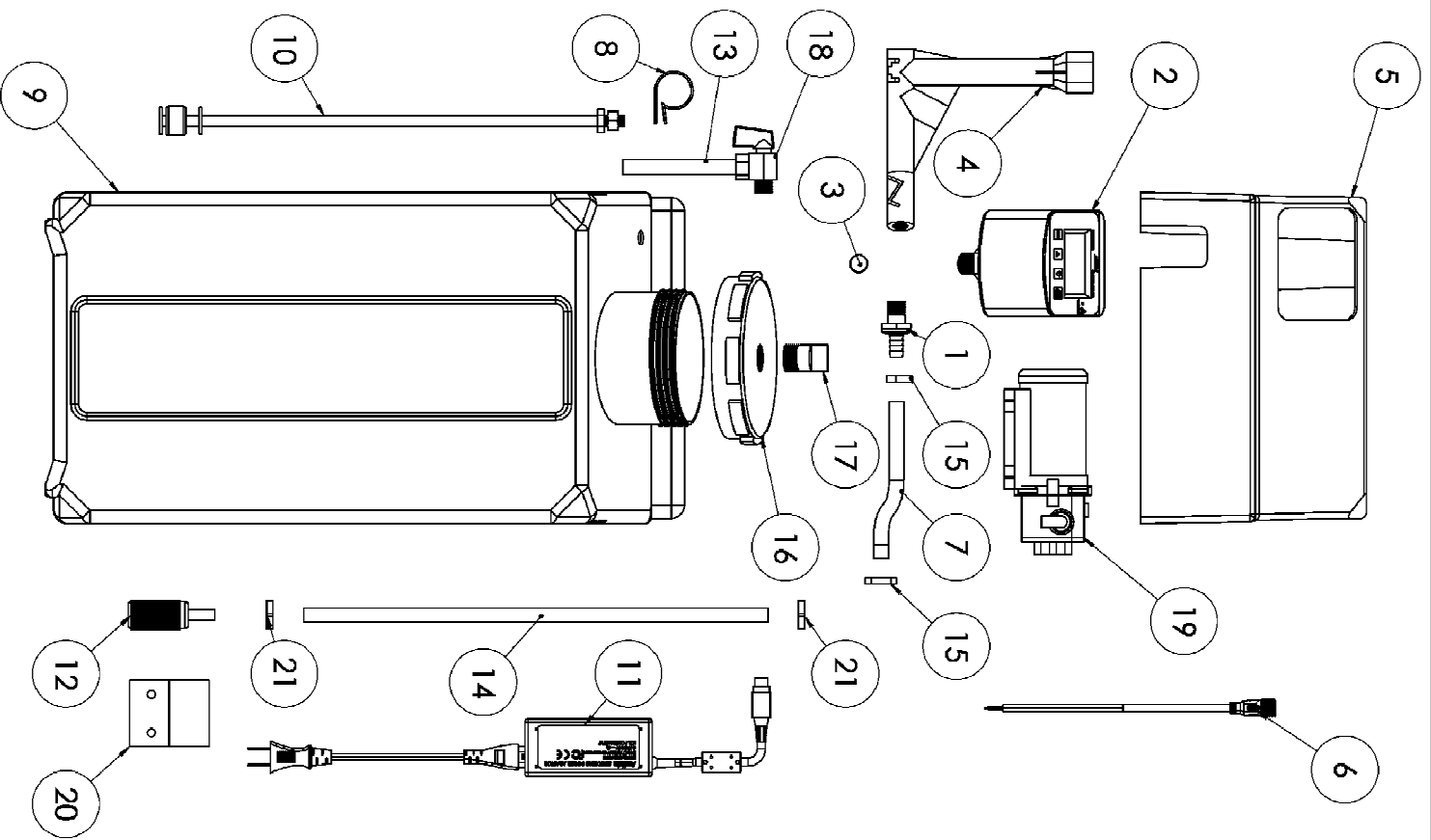
ITEM NO.	PART NUMBER	DESCRIPTION	QTY.
1	DMF-3000	1/4" check valve	1
2	DMF-3050	L wall bracket	1
3	DMF-3100	Digital pressure switch	1
4	DMF-3150	1/4" MNPT brass plug	1
5	DMF-3200	Plastic manifold block	1
6	DMF-3250	Tank lid	1
7	DMF-3350	Inline DC jack (female)	1
8	DMF-3400	1/2" OD clear braided hose	1
9	DMF-3500	Large cable clamp for wires	1
10	DMF150-4000	4.6 US gal Tank	1
11	DMF150-4050	Reed float switch for DMF150	1
12	MF-DMF-0102	120V TO 24DCV power adapter	1
13	MF-DMF-0920	Strainer	1
14	MF-DMF-0930	3/8" PE hose for mix valve	1
15	MF-DMF-0950	Vinyl suction hose 3/8" (1.2')	1
16	MF-DMF-0970	5/8" Plastic clamp for check valve	2
17	MF-DMF-1000A	Tank cap	1
18	MF-DMF-1010	Plug for block cap 3/4"	1
19	MF-DMF-1200	1/4" angle ball valve	1
20	MF-DMF-1300	Pump & motor assembly	1
21	MF-DMF-1421	Power adapter bracket	1
22	MF-DMF-1520	1/2" Plastic clamp for suction hose	2



AXIOM INDUSTRIES LTD
DMF150

DATE FEB 2022
REV

SHEET 1 OF 1



ITEM NO.	PART NUMBER	DESCRIPTION	QTY.
1	DMF-3000	1/4" check valve	1
2	DMF-3100	Digital pressure switch	1
3	DMF-3150	1/4" MNPT brass plug	1
4	DMF-3200	Plastic manifold block	1
5	DMF-3250	Tank lid	1
6	DMF-3350	Inline DC jack (female)	1
7	DMF-3400	1/2" OD clear braided hose	1
8	DMF-3500	Large cable clamp for wires	1
9	DMF300-4000	19 Gal US tank	1
10	DMF300-4050	Reed float switch for DMF300	1
11	MF-DMF-0102	120V TO 24DCV power adapter	1
12	MF-DMF-0920	Strainer	1
13	MF-DMF-0930	3/8" PE hose for mix valve	1
14	MF-DMF-0950-3FT	Vinyl suction hose 3/8" (3')	1
15	MF-DMF-0970	5/8" Plastic clamp for check valve	2
16	MF-DMF-1000A	Tank cap	1
17	MF-DMF-1010	Plug for block cap 3/4"	1
18	MF-DMF-1200	1/4" angle ball valve	1
19	MF-DMF-1300	Pump & motor assembly	1
20	MF-DMF-1421	Power adapter bracket	1
21	MF-DMF-1520	1/2" Plastic clamp for suction hose	2

AXIOM INDUSTRIES LTD
 TITLE: DMF300
 SIZE: C Date: Feb 2022
 REV: SHEET 1 OF 1

Codes d'erreur du régulateur numérique

Code d'erreur et problème	Cause possible	Solution
LoLV - alarme de bas niveau	Niveau de fluide trop bas dans le réservoir.	Ajouter suffisamment de fluide. Vérifier la cause de la perte de fluide dans le système
LoAL - alarme de basse pression du système	Niveau de fluide trop bas	Ajouter suffisamment de fluide. Vérifier la cause de la perte de fluide dans le système
	Défaillance de la pompe	Obtenir une pompe auprès du revendeur et l'installer
HiAL - alarme de haute pression du système	Réservoir d'expansion sous-dimensionné ou rempli d'eau	Vérifier le réservoir d'expansion ou le remplacer
	HiAL s'affiche à l'écran en essayant d'augmenter le réglage de pression au-delà du point de consigne HiAL	Augmenter le point de consigne HiAL plus haut. Voir F2 à la page 13
FULL - plage de pression dépassée	Réservoir d'expansion rempli d'eau ou sous-dimensionné	Vérifier le réservoir d'expansion ou le remplacer
	Pompe tourne à débit nul	Voir à ce que tout robinet soit ouvert et qu'il n'y ait aucune restriction entre l'alimentateur et le système

Dépannage

Problèmes **Solution**

La pompe ne démarre pas

Le niveau de fluide dans le réservoir est bas	Ajouter du fluide. Vérifier la cause de la perte de fluide dans le système
Fusible grillé	Vérifier le fusible et remplacer si nécessaire (250 V, 2 A)
Alimentation électrique ou disjoncteur	Vérifier le témoin DEL sur le cordon d'alimentation, basculer le disjoncteur ou obtenir le transformateur auprès du revendeur et le remplacer
Débranchement électrique ou connexions lâches	Brancher le transformateur ou corriger la connexion électrique défectueuse
Pressostat mal réglé	Régler le régulateur de pression selon les directives du fabricant
Pressostat défectueux sur la pompe	Obtenir un régulateur de pression du revendeur et l'installer
Défaillance de la pompe	Obtenir une pompe du revendeur et l'installer

La pompe ne s'arrête pas

Poche d'air dans la pompe	Isoler l'alimentateur du système et remettre la manette de purge/mélange en position d'amorçage
Fuite dans le système ou la pompe	Inspecter le système et réparer la fuite
Pressostat défectueux sur la pompe	Obtenir un régulateur de pression du revendeur et l'installer

La pompe ne s'amorce pas

Clapet antiretour collé	Frapper légèrement sur le clapet
Le niveau de fluide dans le réservoir est bas	Ajouter du fluide. Vérifier la cause de la perte de fluide dans le système
Le tamis sur le tube d'entrée est bouché	Nettoyer le tamis
La solution dans le réservoir est trop épaisse ou le glycol est figé	Nettoyer le tamis et vérifier la concentration en glycol de la solution
Le tube d'entrée aspire de l'air	Remplacer le tube et réparer la fuite. Refixer le collier du tube
Le tube d'entrée/de sortie est gravement restreint (plié)	Remplacer le tube

Fonctionnement bruyant / irrégulier

La pompe est surchargée et le pressostat ne coupe pas ou coupe à très haute pression.	Obtenir une pompe du revendeur et l'installer
L'alimentateur est raccordé avec un tuyau rigide qui transmet du bruit	Raccorder avec un tube PEX ou un flexible

Pression du système trop basse

Le niveau de fluide dans le réservoir est bas	Ajouter du fluide. Vérifier la cause de la perte de fluide dans le système
Fusible grillé	Vérifier le témoin DEL sur le cordon d'alimentation. Vérifier le fusible situé près de la pompe et remplacer si nécessaire
Alimentation électrique ou disjoncteur	Vérifier le témoin DEL sur le cordon d'alimentation, basculer le disjoncteur ou obtenir le transformateur auprès du revendeur et le remplacer
Pressostat mal réglé	Régler le régulateur de pression selon les directives du fabricant
Pressostat défectueux	Obtenir un régulateur de pression du revendeur et l'installer
Débranchement électrique ou connexions lâches	Brancher le transformateur ou corriger la connexion électrique défectueuse
Défaillance de la pompe	Obtenir une pompe auprès du revendeur et l'installer

Pression du système trop haute

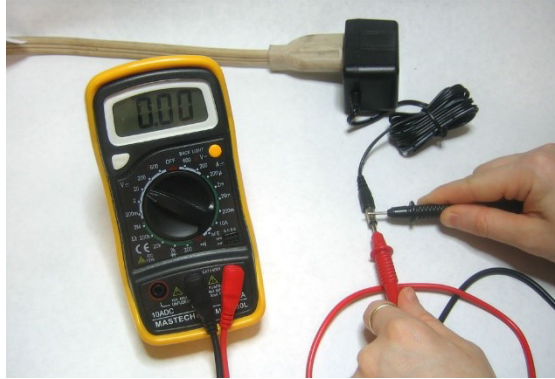
Pressostat au mauvais réglage	Régler le régulateur de pression selon les directives du fabricant
Pressostat bouché	Obtenir un régulateur de pression du revendeur et l'installer. S'assurer que le fluide est propre
Pressostat défectueux	Obtenir un régulateur de pression du revendeur et le remplacer

Cyclage continu de la pompe

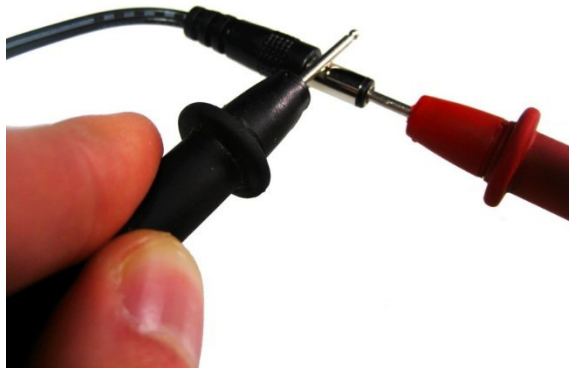
L'air est retiré du système et la pompe ne fait que refouler du fluide	Aucune action requise
Fuite dans le système	Inspecter le système et réparer la fuite
Un clapet ou un régulateur est installé entre l'alimentateur et le système	Enlever le clapet ou le régulateur

Test de l'adaptateur d'alimentation

1. Branchez l'adaptateur d'alimentation à une prise de courant (CA).
2. Allumez votre multimètre et réglez-le pour mesurer la tension continue (CC).
3. Placez la sonde rouge (positif) du multimètre sur l'extrémité de la fiche d'alimentation électrique, tel qu'indiqué dans la figure ci-dessous.



4. Placez délicatement la sonde noire (négatif) du multimètre sur le corps de la fiche sans toucher la pointe ni la sonde rouge. Attention : en cas de contact, vous causerez un court-circuit.



5. Votre multimètre devrait donner une mesure de la tension provenant de votre adaptateur d'alimentation. Si vous testez un adaptateur d'alimentation de 26 V et que votre multimètre indique 26,5 V, tout va bien. Si vous obtenez une lecture de -26,5 V, cela signifie que vos sondes sont fixées à l'envers. Dans ce cas et si vous êtes certain d'avoir connecté vos sondes correctement, vérifiez la polarité sur l'étiquette de l'adaptateur et assurez-vous que le circuit qui doit être alimenté par cet adaptateur est conçu pour supporter cette polarité.

Connexion du DMF au panneau de commande RIA10-1-SAA pour une alarme visuelle et sonore

Le relais d'alarme de l'alimentateur de solution de la gamme DMF est câblé en usine pour être OUVERT en cas de BASSE PRESSION, HAUTE PRESSION, ou BAS NIVEAU de fluide. **Couper l'alimentation électrique à l'alimentateur.** Retirer les vis de fixation du couvercle et le soulever pour accéder aux fils bleu et vert venant du régulateur numérique de pression.

1. Connecter les fils bleu et vert aux bornes 1 et 2 du panneau du RIA10-1-SAA.
2. Enfoncer la touche Fonction (*FCN*) pour accéder au menu. Sélectionner F2-R (NO/NC) et utiliser les flèches Haut ou Bas pour choisir Normalement Ouvert (NO) ou Normalement Fermé (NC), puis appuyer sur *FCN* pour sauvegarder.
3. Appuyer à nouveau sur le bouton *FCN* jusqu'à atteindre F5 (relais de test d'alarme) et appuyer sur le bouton *ON/OFF* pour activer ou désactiver le relais d'alarme. Appuyer à nouveau sur *FCN* pour terminer le test du relais.
4. Connecter le câblage DCS (domotique) aux contacts secs d'alarme à distance tel qu'indiqué pour produire un signal d'alarme.
5. Pour désactiver l'alarme sonore, retirer le cavalier de la carte de contrôle du panneau d'alarme du RIA10-1-SAA.
6. Brancher le DMF dans une prise murale 115-240 V CA/50-60 Hz/1 ph.

